

ZONKE GOODE LIGHTING Co.,Ltd

Factory Add:Building B,NO.,57th,Muyu Road,Shatou,Chang'an Town,Dongguan,Guangdong,China

TECHNICAL DATA SHEET

CREE LED Street Light 30W



Name: 30W CREE LED STREET LIGHT
Model No. GD10201001



Advantages

- Energy Saving up to 80%
- No UV or Mercury
- Virtually Maintenance Free
- Long Life Span up to 50,000 hours
- Green and Eco-friendly
- Special Unibody Modular Design, Easy installation
- Superior Light Quality : Cree LEDs with Meanwell Driver
- Optimal Thermal Transfer ,Patent Vapor Chamber Cooling Technologies

Applications

- High Way ,Street, Parking lots
- Garden, Square
- Custom applications
- Sport Stadiums, Government projects
- Other Outdoor applications

ZONKE GOODE LIGHTING Co.,Ltd

Factory Add:Building B,NO.,57th,Muyu Road,Shatou,Chang'an Town,Dongguan,Guangdong,China

TECHNICAL DATA SHEET

PRODUCT SPECIFICATIONS

Model No.	GD10201001
Power	30W
Dimmension	518*209*162MM
N.W.	4.0KG
Lens	90*135°
Installation	installed on the poles

TECHNICAL CHARACTERISTIC

Color Temperature	Warm White	Nature White	Cool White
Kelvin	2700-3200K	4000-4500K	5500-6500K
Color Rendering Index	>75Ra		
Lumenious flux(90*135°)	2100lm	2400lm	2700lm
<u>Illuminance@5m</u>	30.5 lux	31.6lux	33.5lux
Lumen Efficacy	70LM/W	80LM/W	90LM/W
Power Consumption	30W		
Input Voltage	AC90-260V, or DC12V/24V		
Output Voltage	DC42V~52V		
Frequency Range	43~64Hz		
P.F.	>0.95		
Equivalent	60W~90W Metal Halide Philips or HPS		
IP Rating	IP65 Waterproof		

MATERIALS & OTHER

LED Brand	CREE	Operating Temperature	-30°C~+50°C
LED Type	CREE XTE R3	Working Humidity(Ambient)	10%RH~100%RH
LED Driver	Dokocom	Storage Temperature	-35°C~+70°C
Housing	AL	Heat Sink Surface Temp.	52-58°C
lens	optical PC	Warranty	3 Years

PACKING

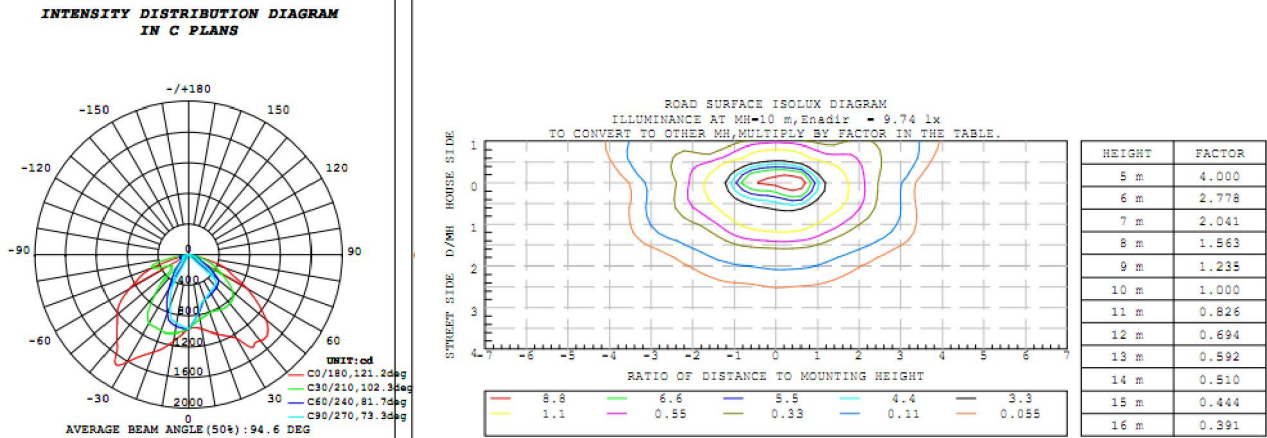
Packing	1 PC/CARTON(BOX)
Carton (Box)Size	L620XW250XH200MM
G.W.	5.5KG/CTN

ZONKE GOODE LIGHTING Co.,Ltd

Factory Add: Building B, NO., 57th, Muyu Road, Shatou, Chang'an Town, Dongguan, Guangdong, China

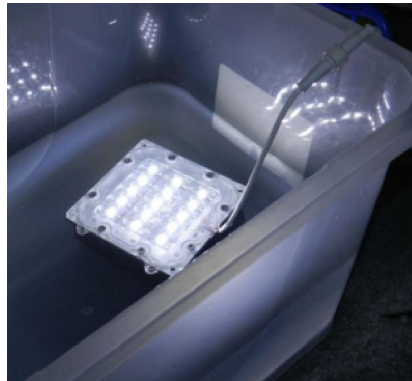
TECHNICAL DATA SHEET

Light Distribution Curve



Creative Module Design

Use 1*30W LED Module , Easy to Install and Maintenance. Unit 30W Module: 90*135° /120° ,IP65 Waterproof



Perfect Vapor Chamber Cooling Solutions (Vapor Chamber is a Super Conductive Material, he can carry the heat very fast)



Mounted LEDs on the Vapor Chamber by SMT Process

Weld one Vapor Chamber LEDs inside to be module

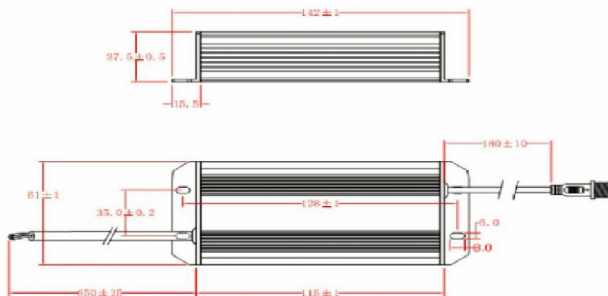
Fix the module and driver on the plate to be street light

ZONKE GOODE LIGHTING Co.,Ltd

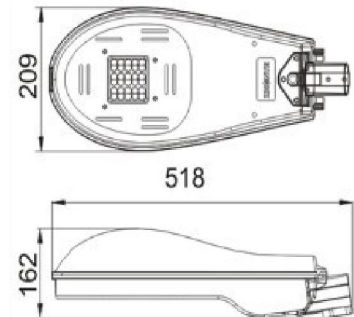
Factory Add:Building B,NO.,57th,Muyu Road,Shatou,Chang'an Town,Dongguan,Guangdong,China

TECHNICAL DATA SHEET

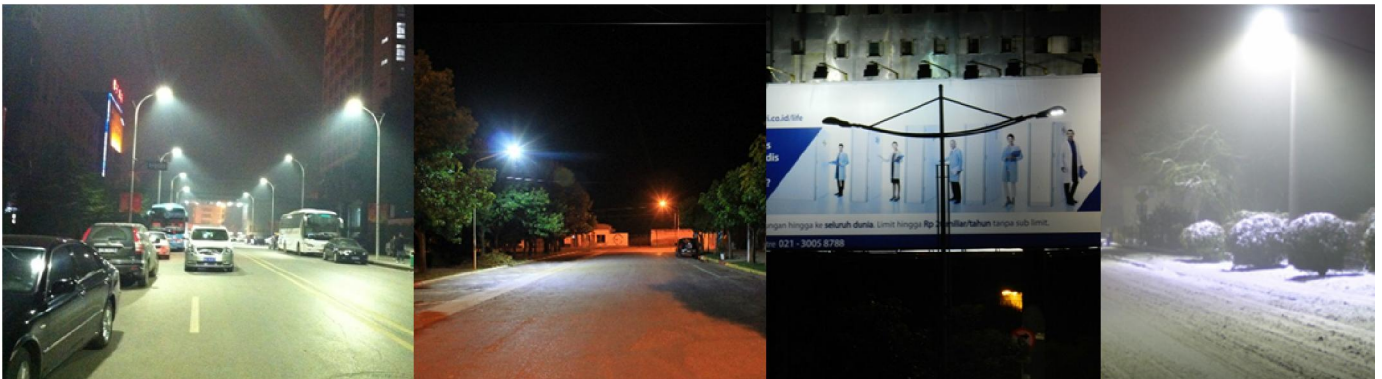
Driver Size



Dimmensions (mm)



Projects



Package

