

# ZONKE GOODE LIGHTING Co.,Ltd

Factory Add:Building B,NO.,57th,Muyu Road,Shatou,Chang'an Town,Dongguan,Guangdong,China

## TECHNICAL DATA SHEET

### CREE LED Street Light 60W



Name: 60W LED STREET LIGHT  
Model No. GD20101011



#### Advantages

- Energy Saving up to 80%
- No UV or Mercury
- Virtually Maintenance Free
- Long Life Span up to 50,000 hours
- Green and Eco-friendly
- Special Unibody Modular Design, Easy installation
- Superior Light Quality : Cree LEDs with Meanwell Driver
- Optimal Thermal Transfer ,Patent Vapor Chamber Cooling Technologies

#### Applications

- High Way ,Street, Parking lots
- Garden, Square
- Custom applications
- Sport Stadiums, Government projects
- Other Outdoor applications

# ZONKE GOODE LIGHTING Co.,Ltd

Factory Add:Building B,NO.,57th,Muyu Road,Shatou,Chang'an Town,Dongguan,Guangdong,China

## TECHNICAL DATA SHEET

### PRODUCT SPECIFICATIONS

Model No.	GD10201011
Power	60W
Dimmension	620*262*162MM
N.W.	6.0KG
Lens	90*135°
Installation	installed on the poles

### TECHNICAL CHARACTERISTIC

Color Temperature	Warm White	Nature White	Cool White
Kelvin	2700-3200K	4000-4500K	5500-6500K
Color Rendering Index	>75Ra		
Lumenious flux(90*135°)	6200lm	7200lm	8100lm
<u>Illuminance@8m</u>	17.68 lux	19.5lux	20.6lux
Lumen Efficacy	70LM/W	80LM/W	90LM/W
Power Consumption	60W		
Input Voltage	AC90-260V, or DC12V/24V		
Output Voltage	DC42V~52V		
Frequency Range	43~64Hz		
P.F.	>0.95		
Equivalent	120~150W Metal Halide Philips or HPS		
IP Rating	IP65 Waterproof		

### MATERIALS & OTHER

LED Brand	CREE	Operating Temperature	-30°C~+50°C
LED Type	CREE XML	Working Humidity(Ambient)	10%RH~100%RH
LED Driver	Meanwell HLG-60H-42A	Storage Temperature	-35°C~+70°C
Housing	AL	Heat Sink Surface Temp.	52-58°C
lens	optical PC	Warranty	3 Years

### PACKING

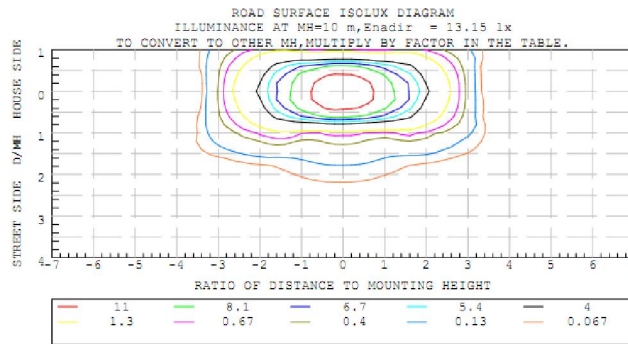
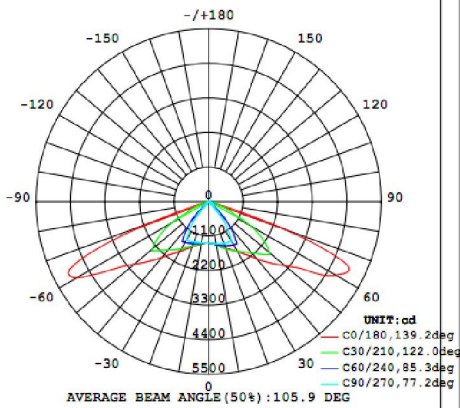
Packing	1 PC/CARTON(BOX)
Carton (Box)Size	L720XW320XH220MM
G.W.	7.0KG/CTN

# ZONKE GOODE LIGHTING Co.,Ltd

Factory Add: Building B, NO. 57th, Muyu Road, Shatou, Chang'an Town, Dongguan, Guangdong, China

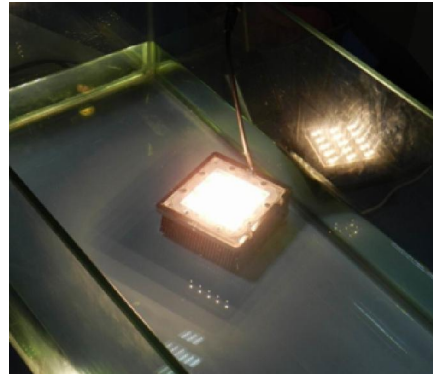
## TECHNICAL DATA SHEET

### Light Distribution Curve



### Creative Module Design

Use 1\*60W LED Module, Easy to Install and Maintenance. Unit 60W Module: 65\*135°, IP65 Waterproof



Perfect Vapor Chamber Cooling Solutions (Vapor Chamber is a Super Conductive Material, he can carry the heat very fast)



Mounted LEDs on the Vapor Chamber by SMT Process

Weld one Vapor Chamber LEDs inside to be module

Fix the 1\*60W modules and Connected driver on the plate to be street light

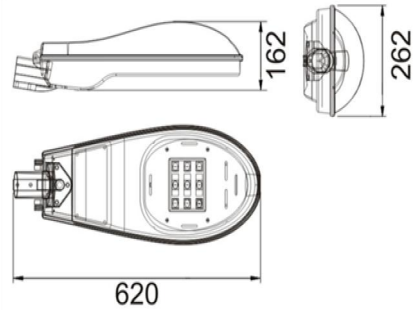
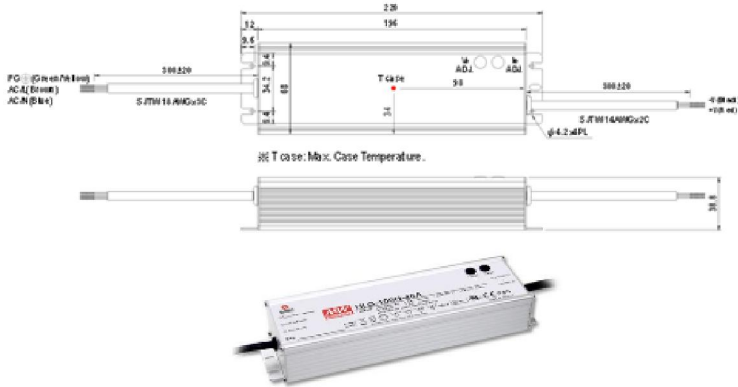
# ZONKE GOODE LIGHTING Co.,Ltd

Factory Add: Building B, NO., 57th, Muyu Road, Shatou, Chang'an Town, Dongguan, Guangdong, China

## TECHNICAL DATA SHEET

### Driver Size Meanwell HLG-60H-42A

### Dimmensions ( mm )



### Projects



### Package

